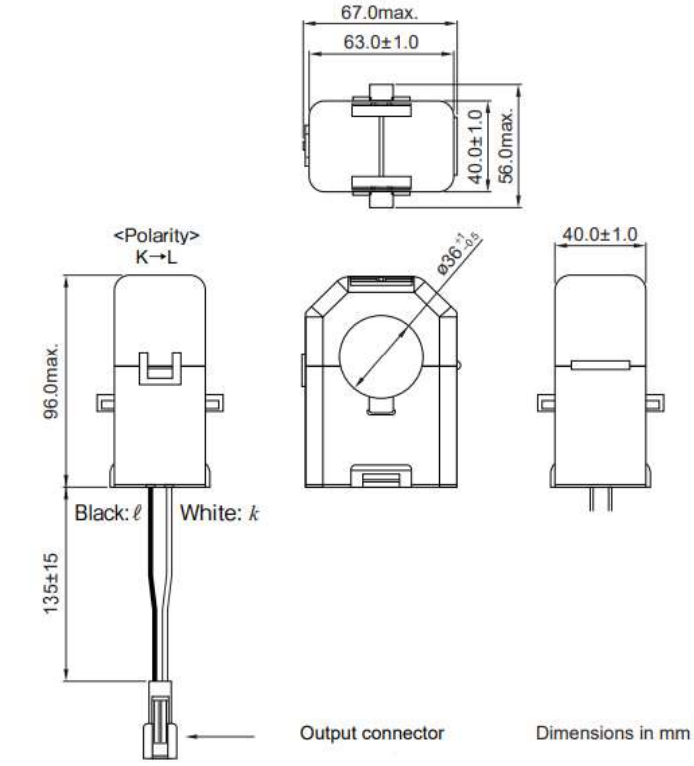
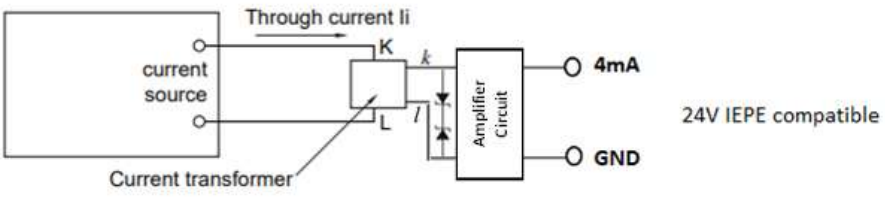


DATASHEET

Product information ICUR276010-CLAMP-600A

Name	ICUR276010-CLAMP-600A
	
	Current clamp 600V~ 600A~, with integrated amplifier 22.6 mV/A, equipped with a built-in open-circuit protective device, 24V IEPE compatible.
Product description	
Type	ICUR276010-CLAMP-600A
Description	Clamp-on current sensor 600V~ 600A~, with integrated amplifier 22.6 mV/A, for easy installation on existing power equipment, equipped with a built-in open-circuit protective device, compatible with RoHs directive, 24V IEPE compatible.
Note	The application of these products in environments with dust, water, fog, direct sunlight... should always be checked before use.
Product specifications	
Operating temperature	-20° to 60°C
Storage temperature	-30° to 60°C
Applied current	AC 1.0 to 600 Arms (50/60Hz)
Maximum allowed current	AC 700 Arms continuous
Internal clamp section diameter	36 mm
Integrated amplifier	22.6 mV/A
Open-circuit protection	7.5V clamp element
Allowable open/closing clamp	About 100 times
Withstanding voltage	AC 2200V, 1 min. (Between outer case and output)
Insulation resistance	100MΩ Over (DC500V)
Flame retardant grade	UL 94 V-0
Output connector	Molex Ditto
Output lead wire length	135 mm
Weight	535 g

DATASHEET

Picture & Drawing	
<p>Dimensions</p>	 <p>Dimensions in mm</p>
<p>Electric Circuit</p>	 <p>24V IEPE compatible</p>