

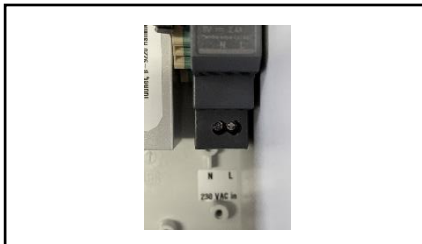
INSTALLATION MANUAL – TECHNICAL INFORMATION

iQunet Server 5V Box ACCS616910-BOX-SERV5

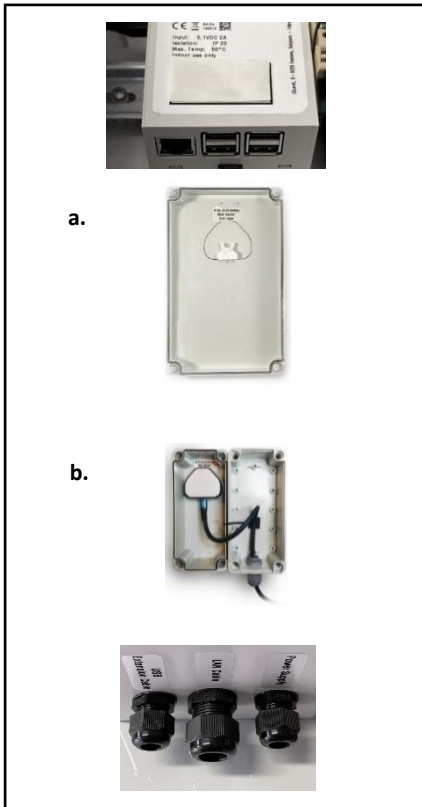




1. Open the box with the corner screws
2. Install the M16 and M20 gland (if not yet installed)
3. Install the back of the box against the wall, using the 4 corner holes. (see Technical drawing)



4. Insert the 110 ~ 230Vac power cable via the power gland to the L-N inputs. Tighten the M16 cable gland



5. Connect the USB-A side from the Base Station USB cable in one of the USB inputs of the server.
 - a. In case the Base Station is installed inside the box: install the Base Station over the clips and connect the Micro USB cable
 - b. In case the Base Station is installed in the Base Station Box with extension cable: follow the instruction from the item ACCS 616810-BOX-BS. Tighten the cable gland M16
6. Insert the network cable via the M20 gland to the 1 Gigabit port from the server. Tighten the M20 gland.

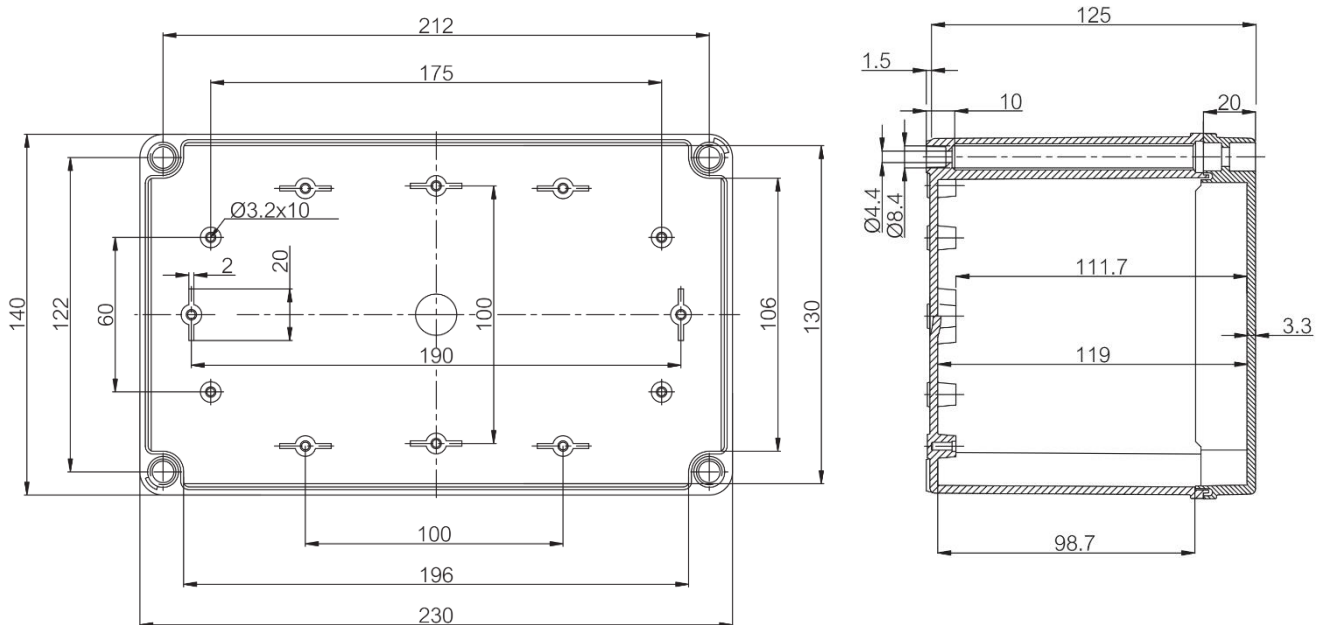


7. Power the system and test
8. Close the box with the 4 corner screws.

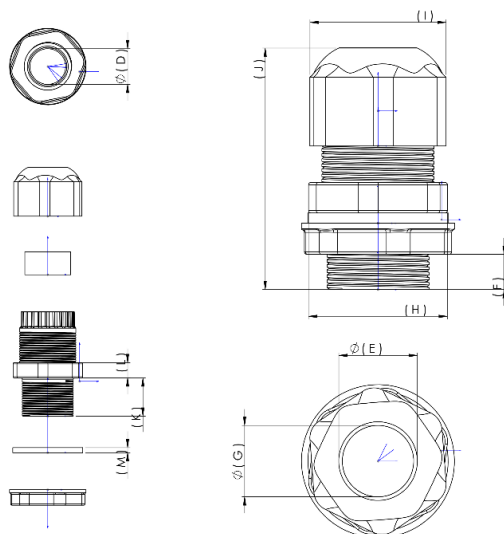
DATASHEET BOX

(part of ACCS616910-BOX-SERV5)

Dimensions:			Rating:
Length	Width	Height	
mm:	230	140	Ingress Protection (EN 60529): IP66/IP67
inch:	9.1	5.5	Impact Resistance (EN 62262): IK08
Materials:			Electrical insulation: Totally insulated
Material:	Polycarbonate		Halogen free (DIN/VDE 0472, Part 815): 1
Base colour:	RAL 7035 -light grey		UV resistance: UL 508
Cover screws material:	Polyamide		Flammability Rating: UL 746C 5"
Cover colour:	RAL 7035 -light grey		Glow Wire Test (IEC 695-2-1) °C: 960
Cover screws colour:	Grey		NEMA Class: NEMA 1, 4X, 6, 12, 13
Gasket material:	Polyurethane		
Temperatures:			
Temperature °C (short term):	-40 ... 120 °C		
Temperature °C (continuous):	-40 ... 80 °C		



Gland types : 2 x M16 + 1 x M20; supplied with locknut and washer



Drawing Reference

B	C	D	E	F	G	H	I	J	K	L	M
Size	Colour	Cable clamp range	Thread Diameter (mm)	Thread Pitch (mm)	Clearance hole size	Spanner size Body	Spanner size- Locknut	Overall Length	Thread Length-measured from under hexagon on body	Nut thickness	Washer Thickness
M16	Grey	5-10mm	16.00	1.50	16.2	19	22	43	15	5	2
M20	Grey	10-14mm	20.00	1.50	20.2	24	27	46	15	6	2

- **Material:**
 - **Body & Nut:** PA 66 (Polyamide 66) UL 94 V2 *
 - **Seal:** Rubber
 - **Fire behavior:** Low Smoke Zero Halogen *

• **IP Rating:** IP68

• **Use:** for use with non-armored cable

*: *black : not Halogen Free / Grey: Halogen Free*

DATASHEET SERVER – SERV199015-USB-5V2A

(part of ACCS616910-BOX-SERV5)

Replacement type number: iQunet item#: 199015; SKU: SERV199015-USB-5V2A
 (extensive datasheet: <https://iqunet.com/resources/technical-datasheets-servers/>)



Technical specifications:

- **Physical:**
 - **Low height server version**
 - **Dimensions (mm):** 71x91x32 (WxHxD)
 - **Weight:** 105g
 - **Case material:** ABS
- **Installation:**
 - on DIN rail (35mm) – 3 modules
 - usb power connector on left side – 1 module
- **IP degree (IEC 529):** IP20
- **Operating temperature:** 0°C to +55°C
- **Power supply:**
 - 5.1VDC 2.5A power supply
 - micro usb connector
- **Ethernet connection:** up to 300Mbps
- **WiFi:** 2.4GHz and 5GHz IEEE 802.11.b/g/n/ac
- **USB connection for Base Station:** 1 connection

DATASHEET AC-DC TRANSFORMER – ACCS615010-230V-5V2A

(part of ACCS616910-BOX-SERV5)

Replacement type: iQunet item#: 615010; SKU: ACCS615010-230V-5V2A

Technical specifications:



- **Physical:**
 - **Dimensions (mm):** 17.5 x 90 x 54.5 (WxHxD)
 - **Weight:** 78g
 - **Case material:** thermoplastic
 - **Working temperature:** -20 ~ +70°C
 - **Operating altitude:** 2000 meters
- **Accessories:** open-end cable with micro-USB power plug (pre-assembled)
- **Installation:** on DIN-Rail in box
- **Connection of wiring:** screw terminals
- **Input voltage:** 85 ~ 264 VAC range
- **Number of outputs:** 1
- **Electrical specifications Transformer**
 - **Transformer Output current:** 2.4A (max)
 - **Output voltage:** 5.1VDC
 - **Power:** 12W (max)
- **Current consumption with connected Server:** ~700mA @ 5.1VDC