

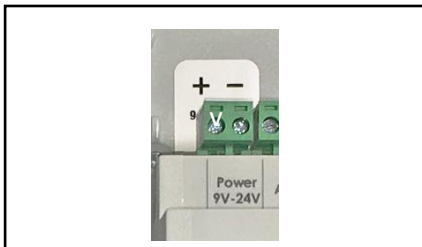
INSTALLATION MANUAL – TECHNICAL INFORMATION

iQunet Server 24V Box ACCS617010-BOX-SERV24





1. Open the box with the corner screws
2. Install the M16 and M20 gland
3. Install the back of the box against the wall, using the 4 corner holes. (see Technical drawing)



4. Insert the 9 ~ 24Vdc power cable via the gland and connect the DC power with correct polarity. Tighten the M16 cable gland



5. Connect the USB-A side from the Base Station USB cable in one of the USB inputs of the server.
 - a. In case the Base Station is installed inside the box: install the Base Station over the clips and connect the Micro USB cable
 - b. In case the Base Station is installed in the Base Station Box with extension cable: follow the instruction from the item ACCS 616810-BOX-BS. Tighten the cable gland M16
6. Insert the network cable via the M20 gland to the 1 Gigabit port from the server. Tighten the M20 gland.

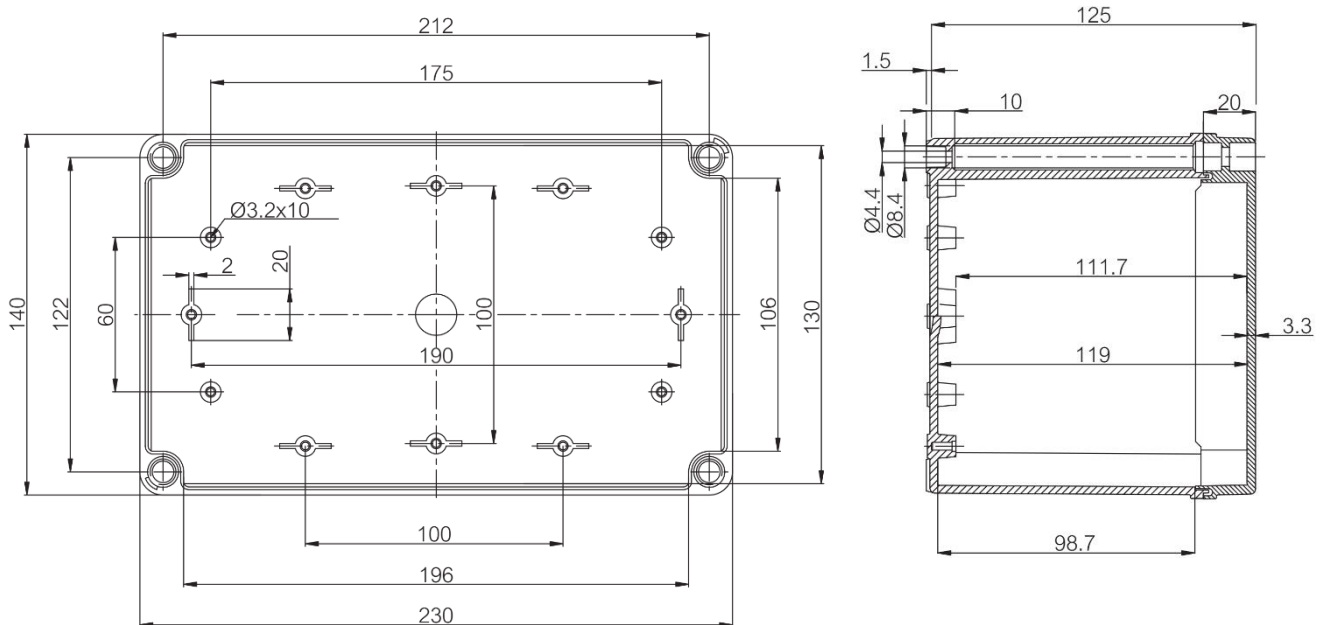


7. Power the system and test
8. Close the box with the 4 corner screws.

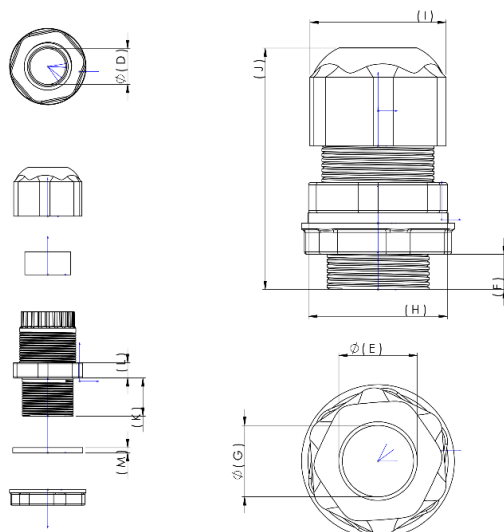
DATASHEET BOX

(part of ACCS617010-BOX-SERV24)

Dimensions:			Rating:
Length	Width	Height	
mm:	230	140	Ingress Protection (EN 60529): IP66/IP67
inch:	9.1	5.5	Impact Resistance (EN 62262): IK08
Materials:			Electrical insulation: Totally insulated
Material:	Polycarbonate		Halogen free (DIN/VDE 0472, Part 815): 1
Base colour:	RAL 7035 -light grey		UV resistance: UL 508
Cover screws material:	Polyamide		Flammability Rating: UL 746C 5"
Cover colour:	RAL 7035 -light grey		Glow Wire Test (IEC 695-2-1) °C: 960
Cover screws colour:	Grey		NEMA Class: NEMA 1, 4X, 6, 12, 13
Gasket material:	Polyurethane		
Temperatures:			
Temperature °C (short term):	-40 ... 120 °C		
Temperature °C (continuous):	-40 ... 80 °C		



Gland types : 2 x M16 + 1 x M20; supplied with locknut and washer



Drawing Reference

	B	C	D	E	F	G	H	I	J	K	L	M
	Size	Colour	Cable clamp range	Thread Diameter (mm)	Thread Pitch (mm)	Clearance hole size	Spanner size Body	Spanner size- Locknut	Overall Length	Thread Length-measured from under hexagon on body	Nut thickness	Washer Thickness
	M16	Grey	5-10mm	16.00	1.50	16.2	19	22	43	15	5	2
	M20	Grey	10-14mm	20.00	1.50	20.2	24	27	46	15	6	2

- **Material:**
 - **Body & Nut:** PA 66 (Polyamide 66) UL 94 V2
 - **Seal:** Rubber
 - **Fire behavior:** Low Smoke Zero Halogen
- **IP Rating:** IP68
- **Use:** for use with non-armored cable

Replacement type number: iQunet item#: 199210; SKU: SERV199210-IND-24V1A

(extensive datasheet: <https://iqunet.com/resources/technical-datasheets-servers/>)



Technical specifications:

- **Physical:**
 - **Dimensions (mm):** 107 x 95 x 58 (WxHxD)
 - **Weight:** 180g
 - **Case material:** thermoplastic
- **Working temperature:** -0 ~ +50°C
- **Installation:** on DIN rail (35mm)
- **IP degree (IEC 529):** IP20
- **Operating temperature:** 0°C to +50°C
- **Power supply:** 24VDC, 1.2A max
 - 9-24V wide-range DC input
 - Reverse polarity protection
 - Integrated EMC protection circuits
- **Ethernet connection:** up to 300Mbps
- **WiFi:**
 - 2.4GHz and 5GHz IEEE 802.11.b/g/n/ac
 - wifi1 x 802.11n Wireless LAN
- **USB connection for Base Station:** 1 connection