

INSTALLATION MANUAL – TECHNICAL INFORMATION

iQunet Repeater BoxS ACCS 616615-BOXS-RPT*



***Repeater type IREP168010-USB-BAC is not included, and has to be ordered separately**



1. Open the box with the corner screws
2. Install the M16 gland
3. Install the back of the box against the wall, using the 4 corner holes (see technical drawing)
4. Insert the 9-36Vdc power cable via the gland and connect to the DC convertor with correct polarity. Tighten the cable gland



5. Insert the batteries into the Repeater (ref. IREP168010-USB-BAC – item not included in the box)
6. Slide the Repeater (ref. IREP168010-USB-BAC) over the white clip in the cover of the box
7. Connect the micro USB power cable to the Repeater



8. As soon as powered, the Repeater will connect to the nearest Base Station (the fail-over batteries are activated automatically by inserting the USB power cable)
9. Close the box with the 4 corner screws

DATASHEET BOX

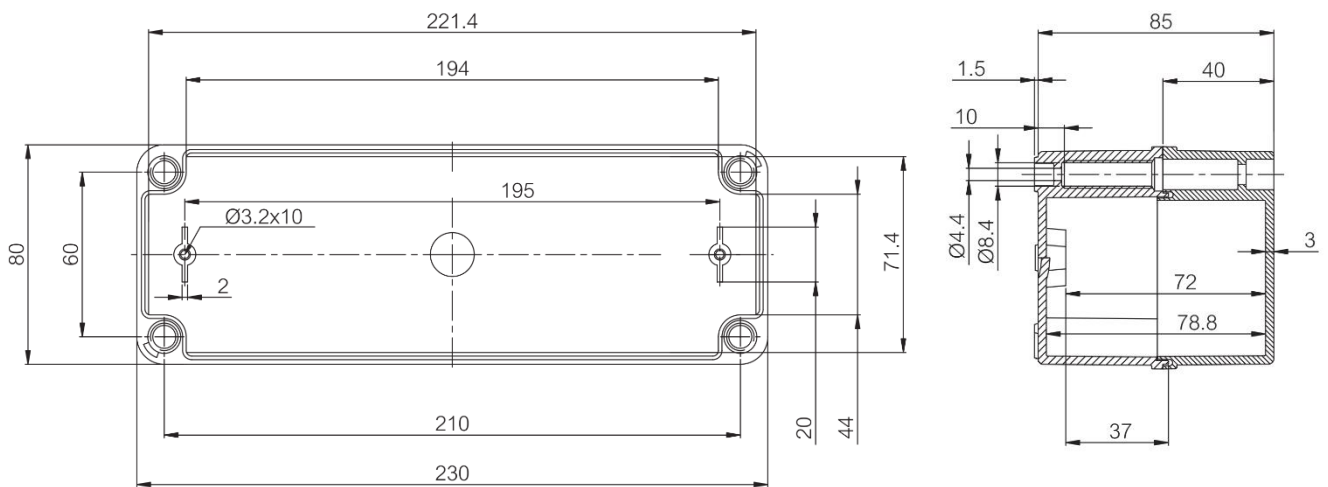
(part of ACCS 616615-BOXS-RPT)

Dimensions:	Length	Width	Height
mm:	230	80	85
inch:	9.1	3.1	3.3

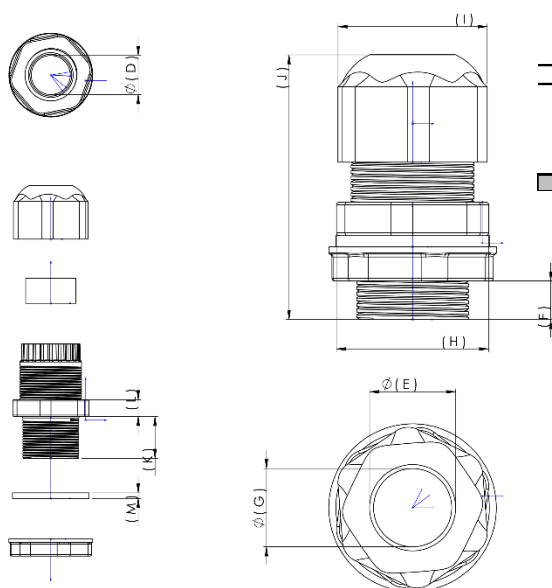
Materials:	
Material:	Polycarbonate
Base colour:	RAL 7035
Cover colour:	RAL 7035
Cover screws material:	Polyamide
Cover screws colour:	Grey
Gasket material:	Polyurethane

Temperatures:	
Short term:	-40 ... 120 °C
Continuous:	-40 ... 80 °C

Rating:
Ingress Protection (EN 60529): IP 66/67
Impact Resistance (EN 62262): IK 08
Electrical insulation: Totally insulated
Halogen free (DIN/VDE 0472, Part 815): Yes
UV resistance: UL 508
Flammability Rating (UL 746 C 5): UL 746C 5V
Glow Wire Test (IEC 695-2-1) °C: 960
NEMA Class: NEMA 1, 4X, 6, 6P, 12, 13



Gland type: 1 x M16 supplied with locknut and washer



Drawing Reference

	B	C	D	E	F	G	H	I	J	K	L	M
			Cable clamp range	Thread Diameter (mm)	Thread Pitch (mm)	Clearance hole size	Spanner size Body	Spanner size- Locknut	Overall Length	Thread Length- measured from under hexagon on body	Nut thickness	Washer Thickness
M16		Grey	5-10mm	16.00	1.50	16.2	19	22	43	15	5	2

- **Material:**
 - **Body & Nut:** PA 66 (Polyamide 66) UL 94 V2
 - **Seal:** Rubber
 - **Fire behavior:** Low Smoke Zero Halogen
- **IP Rating:** IP68
- **Use:** for use with non-armored cable



Technical specifications:

Replacement type: iQunet item#: 615210; SKU: ACCS615210-24VDC-5V3A

- **Physical:**
 - **Dimensions (mm):** 17.5 x 90 x 54.5 (WxHxD)
 - **Weight:** 68g
 - **Case material:** thermoplastic
 - **Working temperature:** -20°C to +70°C
 - **Operating altitude:** 2000 meters
- **Accessories:** open-end cable with micro-USB power plug (pre-assembled)
- **Installation:** on DIN-Rail in box
- **Connection of wiring:** screw terminals
- **Input voltage:** 9-36VDC range
- **Number of outputs:** 1
- **Electrical specifications convertor**
 - **Convertor Output current:** 3A (max)
 - **Output voltage:** 5.1VDC
 - **Power:** 15W (max)
- **Current consumption with connected Repeater:** 20mA max @ 5.1VDC