

INSTALLATION MANUAL – TECHNICAL INFORMATION

iQunet Repeater Box ACCS 616610-BOX-RPT*



***Repeater SKU-type IREP168010-USB-BAC is not included, and shall be ordered separately**



- 1. Open the box with the corner screws**
- 2. Install the M16 gland**
- 3. Install the back of the box against the wall, using the 4 corner holes. (see Technical drawing)**
- 4. Insert the 110-230Vac power cable via the gland and connect to the AC-DC transformer. Tighten the cable gland**



- 5. Insert the batteries in the Repeater (ref. IREP168010-USB-BAC – item not included in the box)**
- 6. Slide the Repeater (ref. IREP168010-USB-BAC) over the white clip in the cover of the box**
- 7. Connect the micro USB power cable to the repeater**



- 8. As soon as powered, the Repeater will connect to the nearest Base Station. (the fail-over batteries are activated automatically by inserting the USB power cable)**
- 9. Close the box with the 4 corner screws**

DATASHEET BOX

(part of ACCS 616610-BOX-RPT)

Dimensions:

	Length	Width	Height
mm:	230	80	85
inch:	9.1	3.1	3.3

Materials:

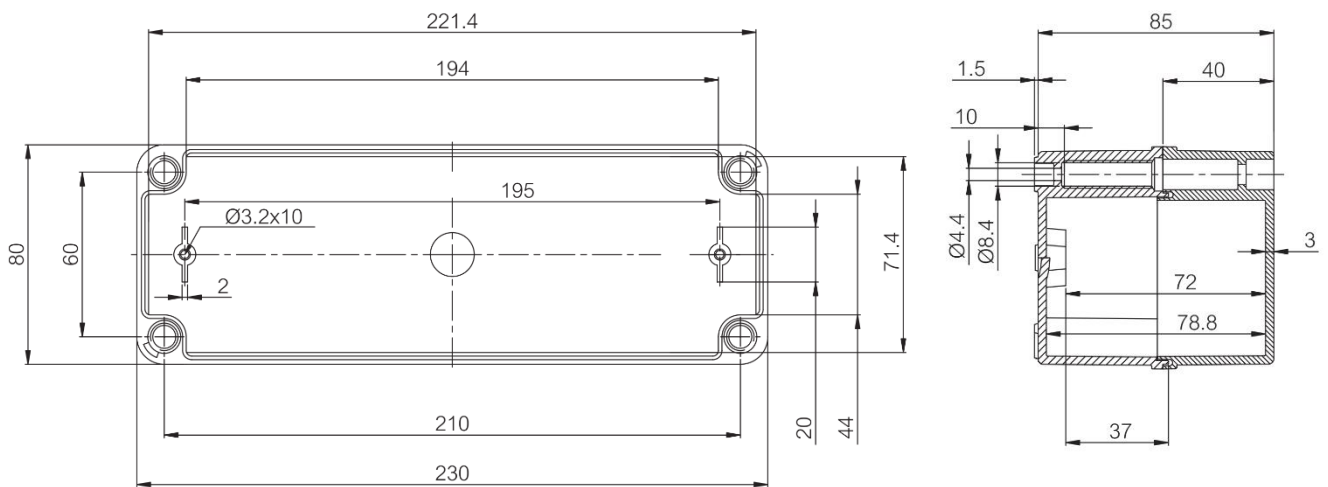
Material:	Polycarbonate
Base colour:	RAL 7035
Cover colour:	RAL 7035
Cover screws material:	Polyamide
Cover screws colour:	Grey
Gasket material:	Polyurethane

Temperatures:

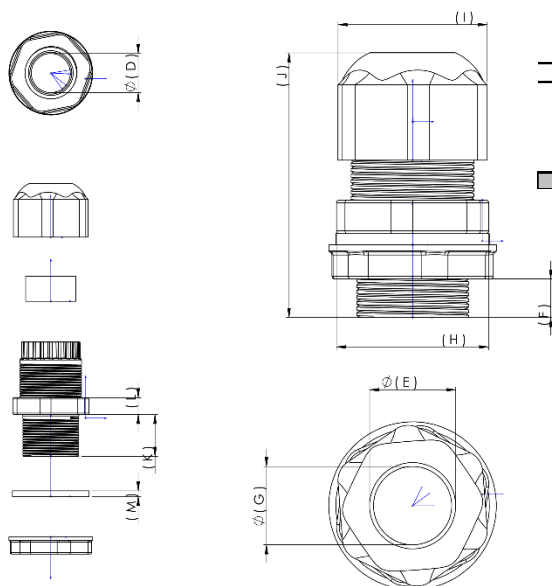
Short term:	-40 ... 120 °C
Continuous:	-40 ... 80 °C

Rating:

Ingress Protection (EN 60529): IP 66/67
Impact Resistance (EN 62262): IK 08
Electrical insulation: Totally insulated
Halogen free (DIN/VDE 0472, Part 815): Yes
UV resistance: UL 508
Flammability Rating (UL 746 C 5): UL 746C 5V
Glow Wire Test (IEC 695-2-1) °C: 960
NEMA Class: NEMA 1, 4X, 6, 6P, 12, 13



Gland type : 1 x M16 supplied with locknut and washer



Drawing Reference

B	C	D	E	F	G	H	I	J	K	L	M
Size	Colour	Cable clamp range	Thread Diameter (mm)	Thread Pitch (mm)	Clearance hole size	Spanner size Body	Spanner size- Locknut	Overall Length	Thread Length- measured from under hexagon on body	Nut thickness	Washer Thickness
M16	Grey	5- 10mm	16.00	1.50	16.2	19	22	43	15	5	2

- **Material:**
 - **Body & Nut:** PA 66 (Polyamide 66) UL 94 V2
 - **Seal:** Rubber
 - **Fire behavior:** Low Smoke Zero Halogen
- **IP Rating:** IP68
- **Use:** for use with non-armored cable



Technical specifications:

Replacement type: iQunet item#: 615010; SKU: ACCS615010-230V-5V2A

- **Physical:**
 - **Dimensions (mm):** 17.5 x 90 x 54.5 (WxHxD)
 - **Weight:** 78g
 - **Case material:** thermoplastic
 - **Working temperature:** -20 ~ +70°C
 - **Operating altitude:** 2000 meters
- **Accessories:** open-end cable with micro-USB power plug (pre-assembled)
- **Installation:** on DIN-Rail in box
- **Connection of wiring:** screw terminals
- **Input voltage:** 85 ~ 264 VAC range
- **Number of outputs:** 1
- **Electrical specifications Transformer**
 - **Transformer Output current:** 2.4A (max)
 - **Output voltage:** 5.1VDC
 - **Power:** 12W (max)
- **Current consumption with connected Repeater:** 20mA max. @ 5.1VDC