

INSTALLATION MANUAL – TECHNICAL INFORMATION

iQunet Server IPC-FR201 Box

+ 230V-24V Transformer

ACCS617020-BOX-FR201+230



INSTALLATION INSTRUCTIONS ACCS617016-BOX-SERV24+230



1. Open the box with the corner screws.

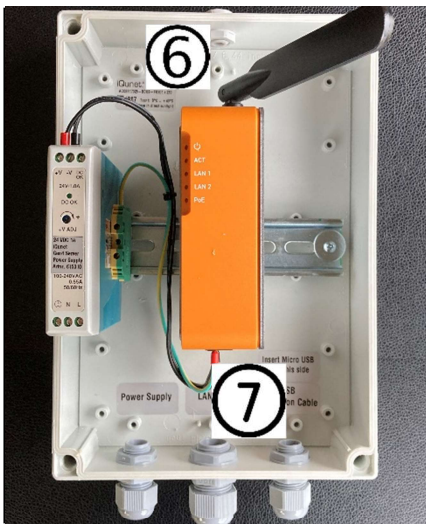
2. Install the back of the box against the wall, using the 4 corner holes. (See Technical drawing.)



3. Put the power cable through the M16 cable gland.

4. Insert the 110-230Vac power cable to the transformer LN input. (Connect the DC output from the transformer to the Server 24V input if not yet available). Connect the ground to both available ground inputs.

5. Tighten the M16 cable gland.



6. Connect the USB-A side from the Base Station USB cable in one of the USB inputs of the server. Connect the extension cable according to the instructions from item ACCS 616810-BOX-BS. Tighten the cable gland M16.

7. Insert the network cable via the M20 gland to the 1 Gigabit port from the server. Tighten the M20 gland.



8. Power the system and test.

9. IMPORTANT: Put the Wi-Fi antenna under 45° before closing the box with the 4 corner screws.

DATASHEET BOX (part of ACS617020-BOX-FR201+230)

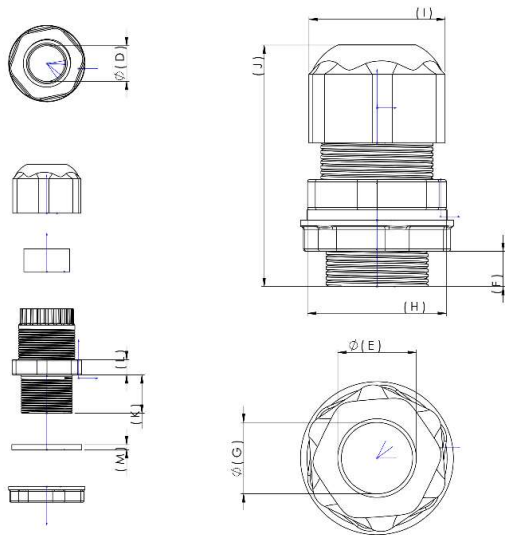
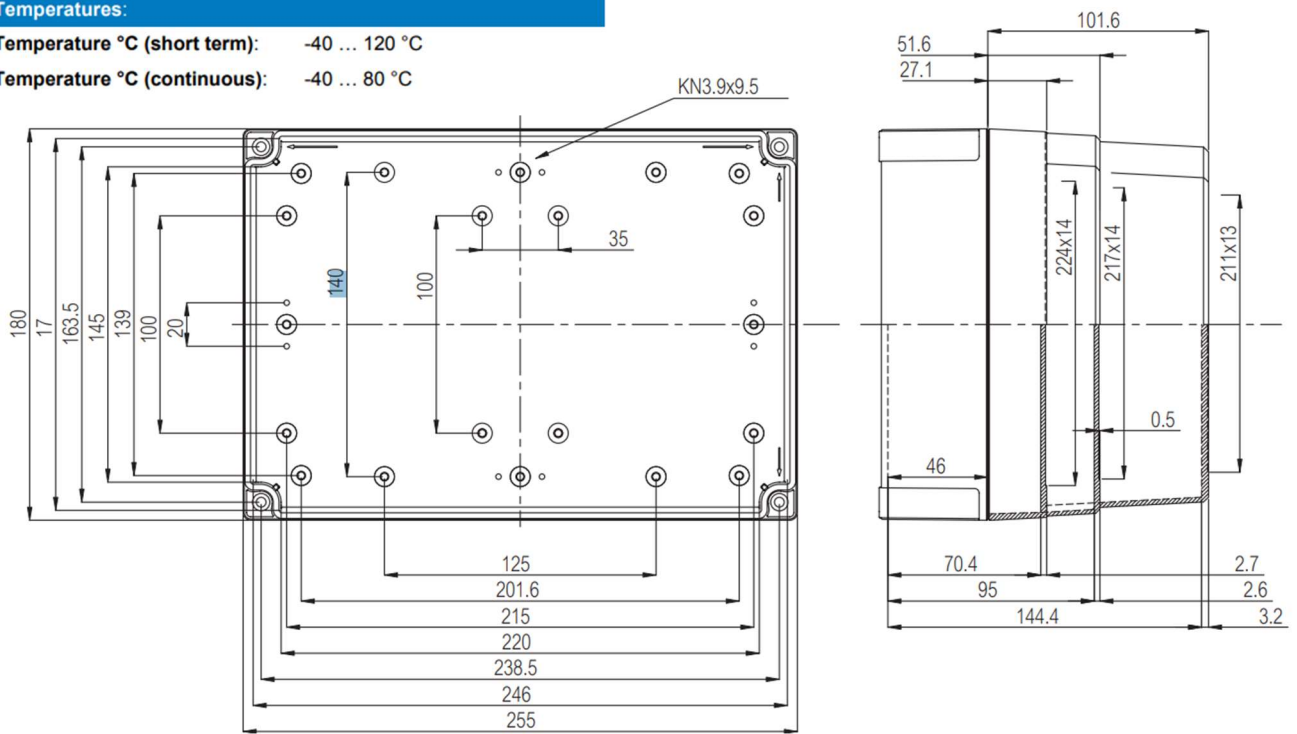
Dimensions:	Length	Width	Height	Rating:
mm:	255	180	150	Ingress Protection (EN 60529): IP66/IP67
inch:	10.0	7.1	5.9	Impact Resistance (EN 62262): IK08
				Electrical insulation: Totally insulated
				Halogen free (DIN/VDE 0472, Part 815): 1
				UV resistance: UL 508
				Flammability Rating: UL 746C 5"
				Glow Wire Test (IEC 695-2-1) °C: 960
				NEMA Class: NEMA 1, 4, 4X, 6, 12, 13

Materials:

Material:	Polycarbonate
Base colour:	RAL 7035 -light grey
Cover screws material:	Polyamide
Cover colour:	Smoked grey
Cover screws colour:	Black
Gasket material:	TPE

Temperatures:

Temperature °C (short term):	-40 ... 120 °C
Temperature °C (continuous):	-40 ... 80 °C



Gland types: 2 x M16 + 1 x M20; supplied with locknut and washer

- **Material:**
 - **Body & Nut:** PA 66 (Polyamide 66) UL 94 V2
 - **Seal:** Rubber
- **IP Rating:** IP68
- **Use:** for use with non-armored cable

Drawing Reference

	B	C	D	E	F	G	H	I	J	K	L	M
			Cable clamp range	Thread Diameter (mm)	Thread Pitch (mm)	Clearance hole size	Spanner size Body	Spanner size Locknut	Overall Length	Thread Length measured from under hexagon on body	Nut thickness	Washer Thickness
M16	Grey	5-10mm	16.00	1.50	16.2	19	22	43	15	5	2	
M20	Grey	10-14mm	20.00	1.50	20.2	24	27	48	15	6	2	

DATASHEET SERVER – SERV199210-IND-24V1A

(part of ACCS617020-BOX-FR201+230)

Replacement type number: iQunet item#: 199310; SKU: SERV199310-IPC-FR201
(Extensive datasheet: <https://iqunet.com/resources/technical-datasheets-servers/>)



Technical specifications:

- **Physical:**
 - **Dimensions (mm) excl. External Wi-Fi antenna:** 102.5 x 129 x 38 mm (WxHxD)
 - **Weight:** 400g
 - **Case material:** ABS / Aluminium
- **Installation:** on DIN rail (35mm)
- **IP degree (IEC 529):** IP20 (indoor only)
- **Operating temperature:** -20°C to +60°C
- **Power supply:** 24VDC, 1.2A max
 - 8~24V DC, 22W max
 - Incl. power cycle button
- **Ethernet connection:** up to 1 GbE
- **Wi-Fi:**
 - 2.4GHz and 5GHz IEEE 802.11ac
- **USB connection for Base Station:** 1 connection

DATASHEET AC DC TRANSFORMER

(part of ACCS617020-BOX-FR201+230)

Replacement type number: iQunet item#: 615310; SKU: ACCS615310-230V-24V1A



Technical specifications:

- **Physical:**
 - **Dim. (mm):** 22.5 x 90 x 100 (WxHxD)
 - **Weight:** 190g
 - **Case material:** thermoplastic
- **Working temperature:** -20 ~ +70°C
- **Installation:** on DIN-Rail in box
- **Connection of wiring:** screw terminals
- **Input voltage:** 85 ~ 264 VAC range
- **Number of outputs:** 1
- **Electrical specifications Transformer**
 - **Transformer Output current:** 1A (max)
 - **Output voltage:** 21.6 ~ 26.4 VDC
 - **Power:** 24W (max)